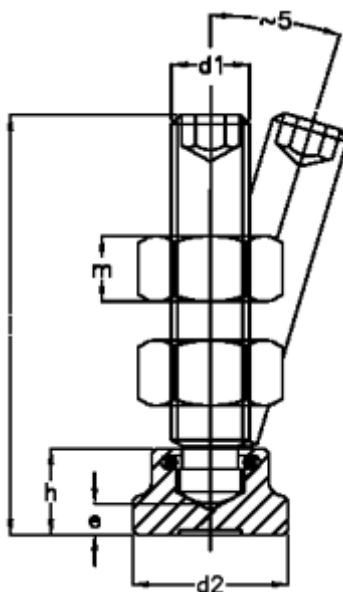


Article number: 20940690

Description: E+G Clamping bolt
GN 802-M12-65

Measures



$d1 = M12$

$d2 = 25$

$e = 4,5$

$h = 13$

$l1 = 65$

$m = 10.8$